



3.1



Product description

Double eccentric butterfly valve with flanges used for closing and setting of potable, cold and hot water networks

Working temperature from 0°C (no frost) to 80°C

Standards

- Designed according to EN593
- Face to face length as per EN558-1 series14
- Flanges connection according to EN1092-2

Pressure tests.

All valves are individually hydrostatically tested according to BS EN12266-1 And 2 Hydraulic test as per EN1074-1

- Seal: 1,1 x PN (in bar)
- Body: 1,5 x PN (in bar)

Corrosion protection

- RAL 5005 epoxy powder painting
- Applied internally and externally with a minimum layer thickness of 250 µm

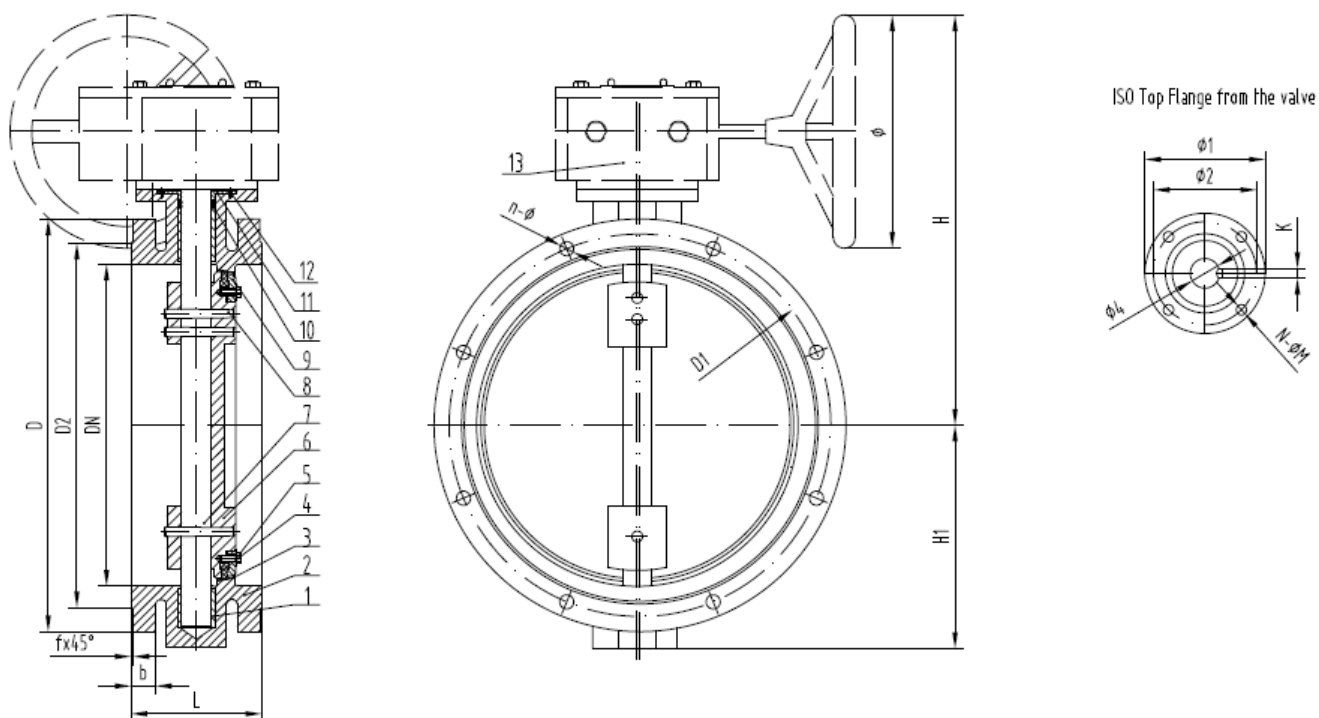
Approvals

- Certificate PED 014/68/ UE Nr. 1282, risk category III/ model H
- Certificate WRAS no. 2010376 for use in contact with drinking water
- Certificate ACS no. 25 ACCNY 257 for use in contact with drinking water.

Characteristics

1. Bi-Directional seal for PN10, Uni-Directional seal for PN16, with a preferred installation direction indicated by the arrow marked on the body.
2. Pinned stem/disc connection.
3. Stainless steel welded body seat can prevent wear, and EPDM disc seal ring is replaceable
4. Self-lubricated bearings

5. Valves are with ISO 5210 mounting pad which are suitable for actuator
6. Applications: water networks, plants, pumping stations, etc.
7. For dimensions between DN1400-DN2600 only by request/order
8. Gearbox IP68



Construction DN200-DN250

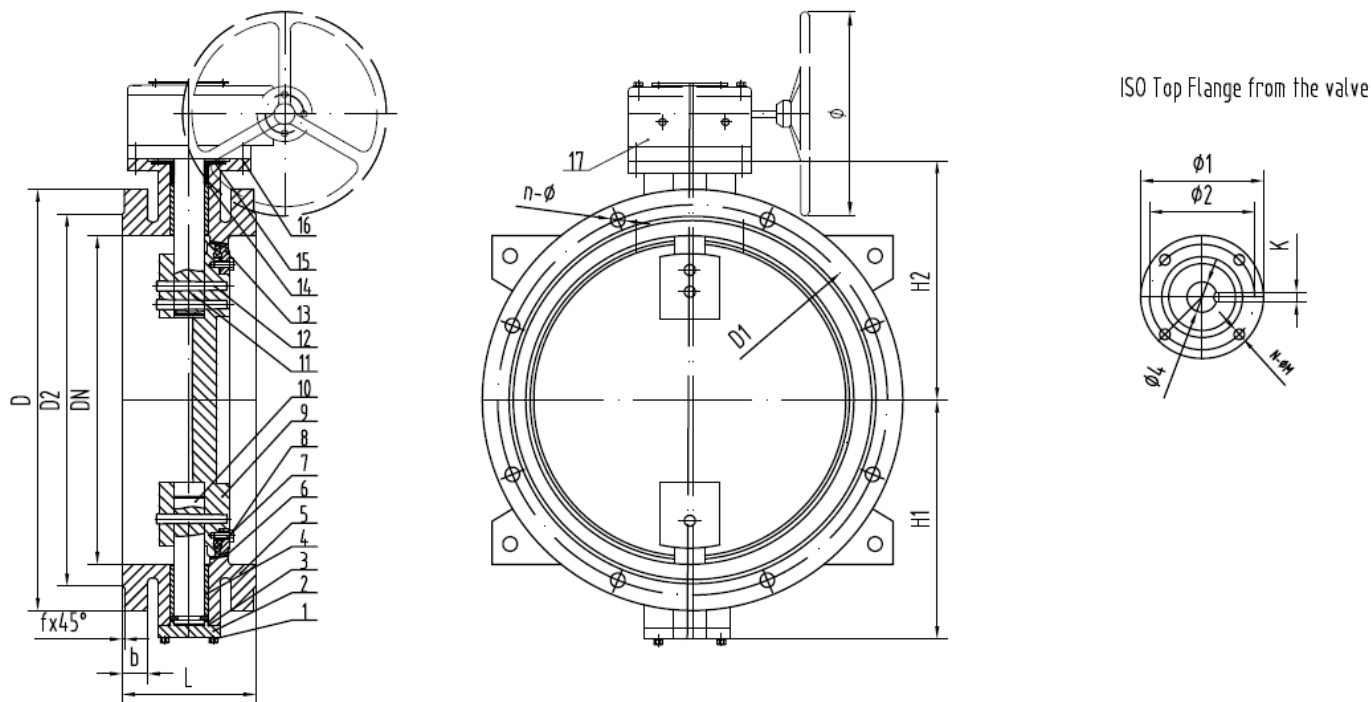
No.	Parts	Materials
1	Bush	Bronze
2	Body	GGG50
3	Body Seal	SS304
4	Disc Seal	EPDM
5	Bolts	A2-70
6	Disc	GGG50
7	Stem	AISI 431
8	Pin	AISI431
9	Disc Retainer Ring	Bronze
10	O-Ring	EPDM
11	Cover	GGG50
12	Bolts	A2-70
13	Gearbox	GGG40

Dimensions (mm) PN10

DN	L	H1	H2	f	D	D1	D2	n-φ	b	φ	φ1	φ2	N-M	φ4	K	ISO5210	Greutate
200	230	177	446	3	340	295	268	8-23	20	300	125	102	4-12	25	8	F10	52
250	250	210	491	3	395	350	320	12-23	22	300	175	140	4-18	30	8	F14	72

Dimensions (mm) PN16

DN	DN	H1	H2	f	D	D1	D2	n-φ	b	φ	φ1	φ2	N-M	φ4	K	ISO5210	Weight
200	230	177	446	3	340	295	268	12-23	20	300	125	102	4-12	25	8	F10	52
250	250	210	491	3	405	355	320	12-28	22	300	175	140	4-18	30	8	F14	72



Construction DN300-DN350

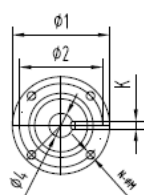
No.	Parts	Materials
1	Bolts	A2-70
2	Cover	GGG50
3	O-Ring	EPDM
4	Bush	Bronze
5	Body	GGG50
6	Body Seal	SS304
7	Disc Seal	EPDM
8	Bolts	A2-70
9	Disc	GGG50
10	Lower Stem	AISI 431
11	Upper Stem	AISI 431
12	Pin	AISI 431
13	Disc Retainer Ring	Bronze
14	O-Ring	EPDM
15	Packing Pad	GGG50
16	Bolts	A2-70
17	Gearbox	GGG50

Dimensions (mm) PN10

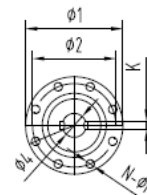
DN	L	H1	H2	f	D	D1	D2	n-φ	b	φ	φ1	φ2	N-M	φ4	K	ISO5210	Weight
300	270	258	306	4	460	410	370	12-28	24.5	400	175	140	4-18	34	10	F14	112
350	290	283	335	4	520	470	430	16-28	26.5	400	175	140	4-18	40	12	F14	131

Dimensions (mm) PN16

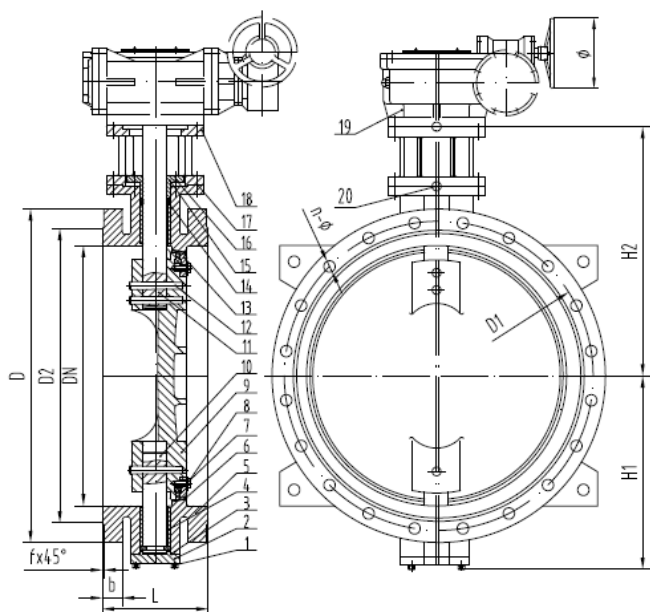
DN	L	H1	H2	f	D	D1	D2	n-φ	b	φ	φ1	φ2	N-M	φ4	K	ISO5210	Weight
300	270	258	306	4	460	400	370	12-23	24.5	400	175	140	4-18	34	10	F14	112
350	290	283	335	4	520	460	430	16-23	24.5	400	175	140	4-18	40	12	F14	131



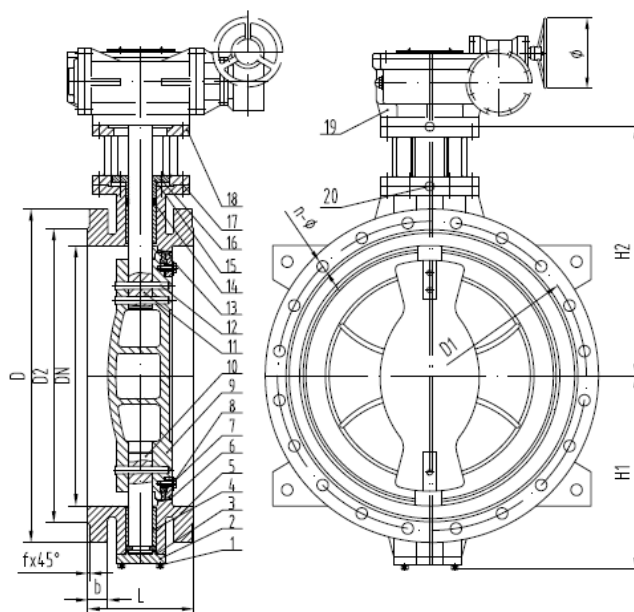
DN400-DN500 ISO5211 Top Flange



DN600-DN1200 ISO5211 Top Flange



DN400-DN500



DN600-DN1200

Construction DN400-DN1200

No.	Parts	Materials
1	Bolts	A2-70
2	Cover	GGG50
3	O-Ring	EPDM
4	Bush	Bronze

5	Body	GGG50
6	Body Seal	SS304
7	Disc Seal	EPDM
8	Bolts	A2-70
9	Disc	GGG50
10	Lower Stem	AISI 431
11	Upper Stem	AISI 431
12	Pin	AISI 431
13	Disc Retainer Ring	Bronze
14	O-Ring	EPDM
15	Packing Pad	GGG50
16	Bolts	A2-70
17	Nuts	A2-70
18	Connection Pad	GGG50
19	Gearbox	GGG50
20	Pin	AISI431

Dimensions(mm) PN10

DN	L	H1	H2	f	D	D1	D2	n-φ	b	φ	φ1	φ2	N-M	φ4	K	ISO5210	Weight
400	310	325	538	4	565	515	482	16-28	24.5	300	210	165	4-22	45	14	F16	169
450	330	340	550	4	615	565	532	20-28	25.5	300	210	165	4-22	45	14	F16	200
500	350	375	590	4	670	620	585	20-28	26.5	400	210	165	4-22	52	16	F16	253
600	390	443	683	5	780	725	685	20-31	30	400	300	254	8-18	55	16	F25	384
700	430	485	732	5	895	840	800	24-31	32.5	400	300	254	8-18	65	18	F25	488
800	470	560	788	5	1015	950	905	24-34	35	400	300	254	8-18	70	20	F25	631
900	510	601	867	5	1115	1050	1005	28-34	37.5	450	300	254	8-18	80	22	F25	903
1000	550	680	907	5	1230	1160	1110	28-37	40	450	300	254	8-18	92	25	F25	1160
1200	630	791	1030	5	1455	1380	1330	32-41	45	450	350	298	8-22	100	28	F30	1651

Dimensions(mm) PN16

DN	L	H1	H2	f	D	D1	D2	n-φ	b	φ	φ1	φ2	N-M	φ4	K	ISO5210	Weight
400	310	325	538	4	580	525	482	16-31	28	300	210	165	4-22	45	14	F16	198
450	330	340	550	4	640	585	548	20-31	30	300	210	165	4-22	45	14	F16	221
500	350	375	590	4	715	650	609	20-34	31.5	400	210	165	4-22	52	16	F16	314
600	390	443	683	5	840	770	720	20-37	36	400	300	254	8-18	55	16	F25	457
700	430	485	732	5	910	840	794	24-37	39.5	400	300	254	8-18	65	18	F25	571
800	470	560	788	5	1025	950	901	24-41	43	400	300	254	8-18	70	20	F25	648
900	510	601	867	5	1125	1050	1001	28-41	46.5	450	300	254	8-18	80	22	F25	907
1000	550	680	907	5	1255	1170	1112	28-44	50	450	350	298	8-22	92	25	F30	1223
1200	630	791	1030	5	1485	1390	1328	32-50	57	450	350	298	8-22	100	28	F30	1743